

POWER SPLITTER

HPD-xW-B-NF

- ◆ 800 – 2,500MHz Multi Band
- ◆ 30 Watt Avg. Power Rating
- ◆ High Isolation
- ◆ Low RF Insertion Loss
- ◆ N type Connectors

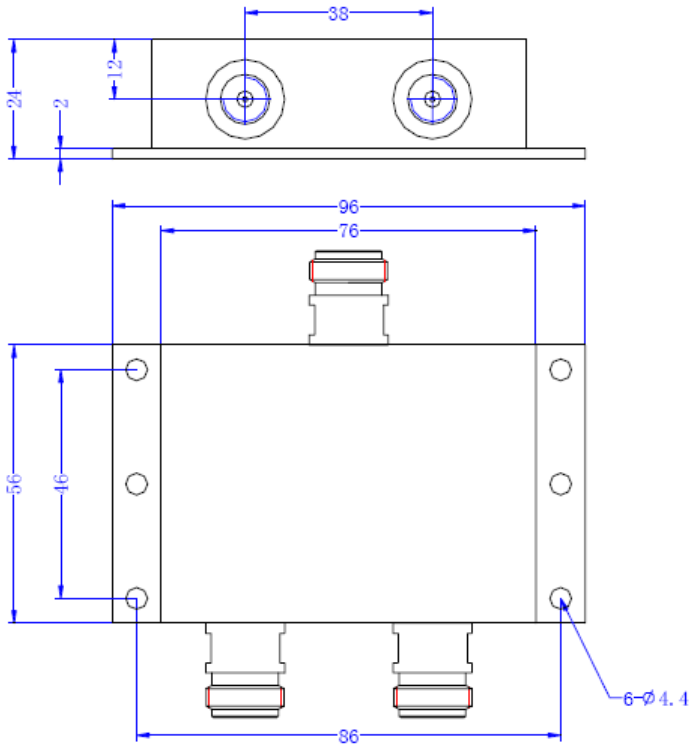


	2-Way	3-Way	4-Way
	HPD-2W-B-NF	HPD-3W-B-NF	HPD-4W-B-NF
Electrical			
Frequency Range, MHz	800-2,500		
Power Rating, W	30		
Isolation, dB min.	22	20	20
Amplitude Balance, max.	0.3dB	0.35dB	0.35dB
Insertion Loss, dB	0.3	0.6	0.7
Input VSWR max.	1.25:1	1.30:1	1.30:1
Output VSWR max.	1.20:1	1.25:1	1.25:1
Impedance, Ω	50 Ω nominal		
Mechanical			
Housing	Passive Aluminum		
Connector Type	N Type Female		
Temperature Range	-30°C to +50°C		
Applications	Indoor, 0-90%RH		
Weight nom. oz(g)	8.9(250)	14.0(400)	14.0(400)

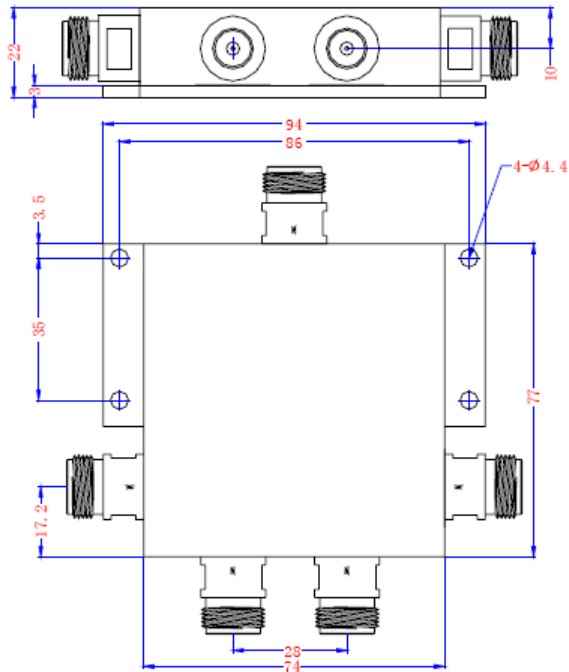


www.honova.com

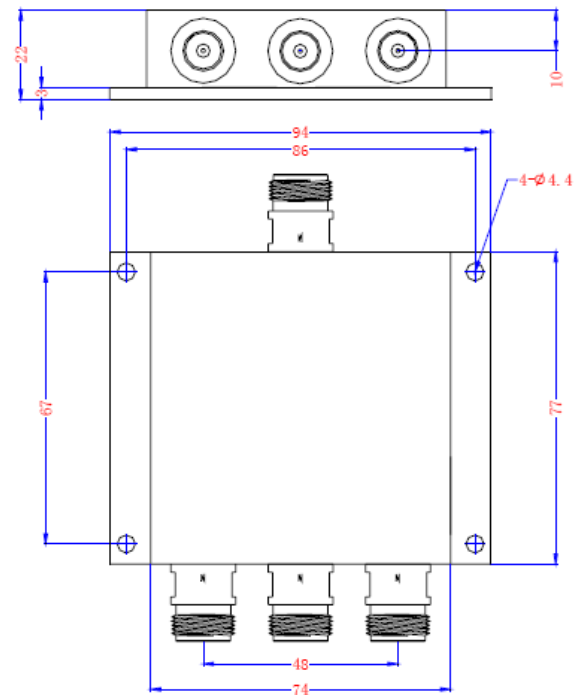
禾豐開發科技有限公司 HONOVA RESOURCES LTD.



HPD-2W-B-NF



HPD-4W-B-NF



HPD-3W-B-NF

15F-7, No. 880, Zhongheng Rd., Jhonghe City, Taipei County 235, Taiwan, R.O.C.
台北縣中和市中正路880號15樓-7 TEL : 886-2-8228-6089 FAX : 886-2-8228-6039